

# STANCE® 6657 MODESTY PANEL

bdiusa.com  
customerservice@bdiusa.com



## Product Registration

Registering your new BDI product allows us to send you important product updates, service information and helpful hints related to your BDI products. Register today, and you will be entered to win free a BINK table from BDI: [www.bdiusa.com/register](http://www.bdiusa.com/register)

## Placement and Maintenance

Stance® Lift Desk is designed for indoor use on level floors. Clean wood veneer with a damp cloth.

Your Stance® Office furniture is engineered for easy assembly. Carefully follow this procedure to prevent any damage. Do not use power tools for assembly of this product.

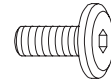
## Step 1

Unpack and identify the parts listed below. The assembly workspace should be a non-marring surface such as carpet. For missing hardware pieces, please contact BDI Customer Service at [customerservice@bdiusa.com](mailto:customerservice@bdiusa.com). For all other concerns, please contact your BDI retailer.

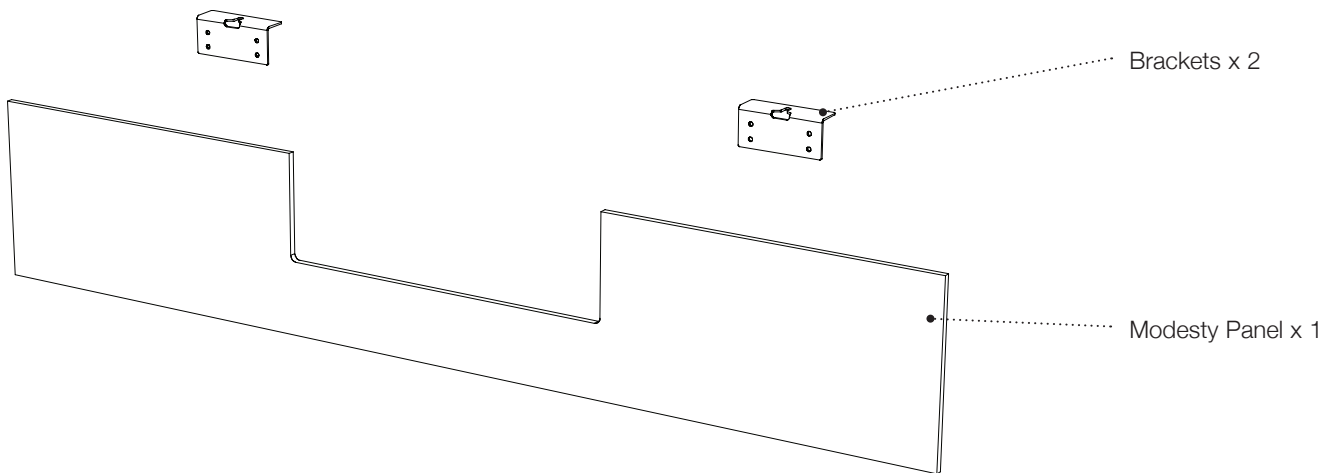
### Hardware List:



**H1** Wood Screw x 8

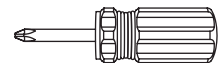


**H2** M6 x 12 Screw x 2



### Tool Required:

Phillips screwdriver



Designed by BDI Studio

These distinctive product configurations are protected by US and international patents, trade dress, and/or copyright laws. Stance & BDI are trademarks of Becker Designed, Inc. All rights reserved. ©2019, BDI

Made in Turkey. 06.20.2019

### Step 1 - Install the brackets

Attach the **2 metal brackets** to the modesty panel as shown with the **8 wood screws** provided going into the 8 pilot holes located towards the top, inside edge of the panel. Tighten with a **Phillips** screwdriver.

**DO NOT** use a power drill.

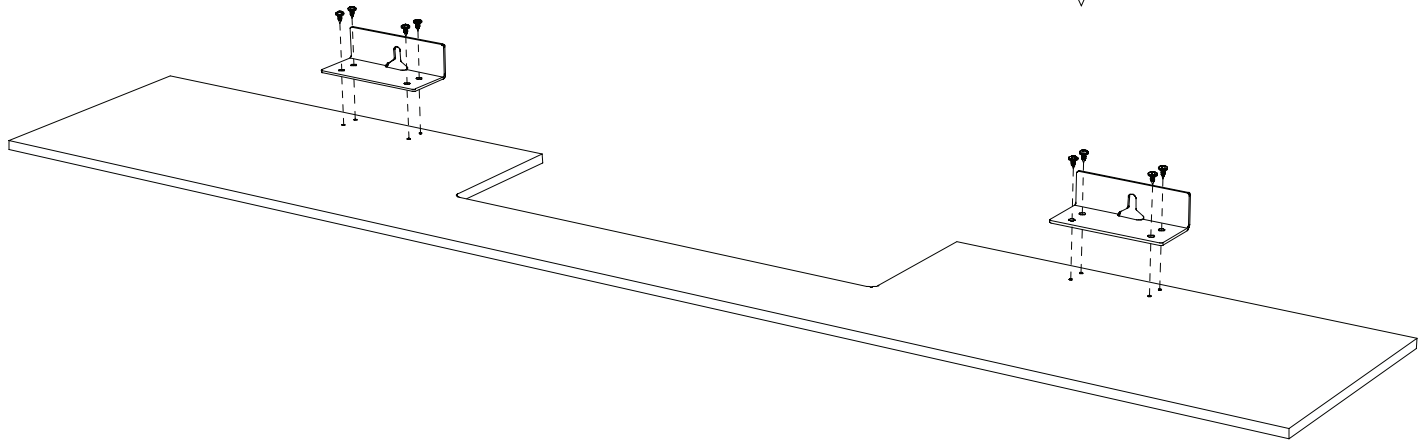
**DO NOT** over tighten the screws, otherwise they will strip.



Phillips screwdriver



H1 Wood Screw x 8



## Step 2 - Install the modesty panel

Find the **2 threaded holes** on either side of the metal tray. Thread the **screws H2 half way** into the **threaded holes**. Hook the modesty panel onto the screw heads, slide backward and then tighten the **2 screws** with the **hex wrench** provided.

